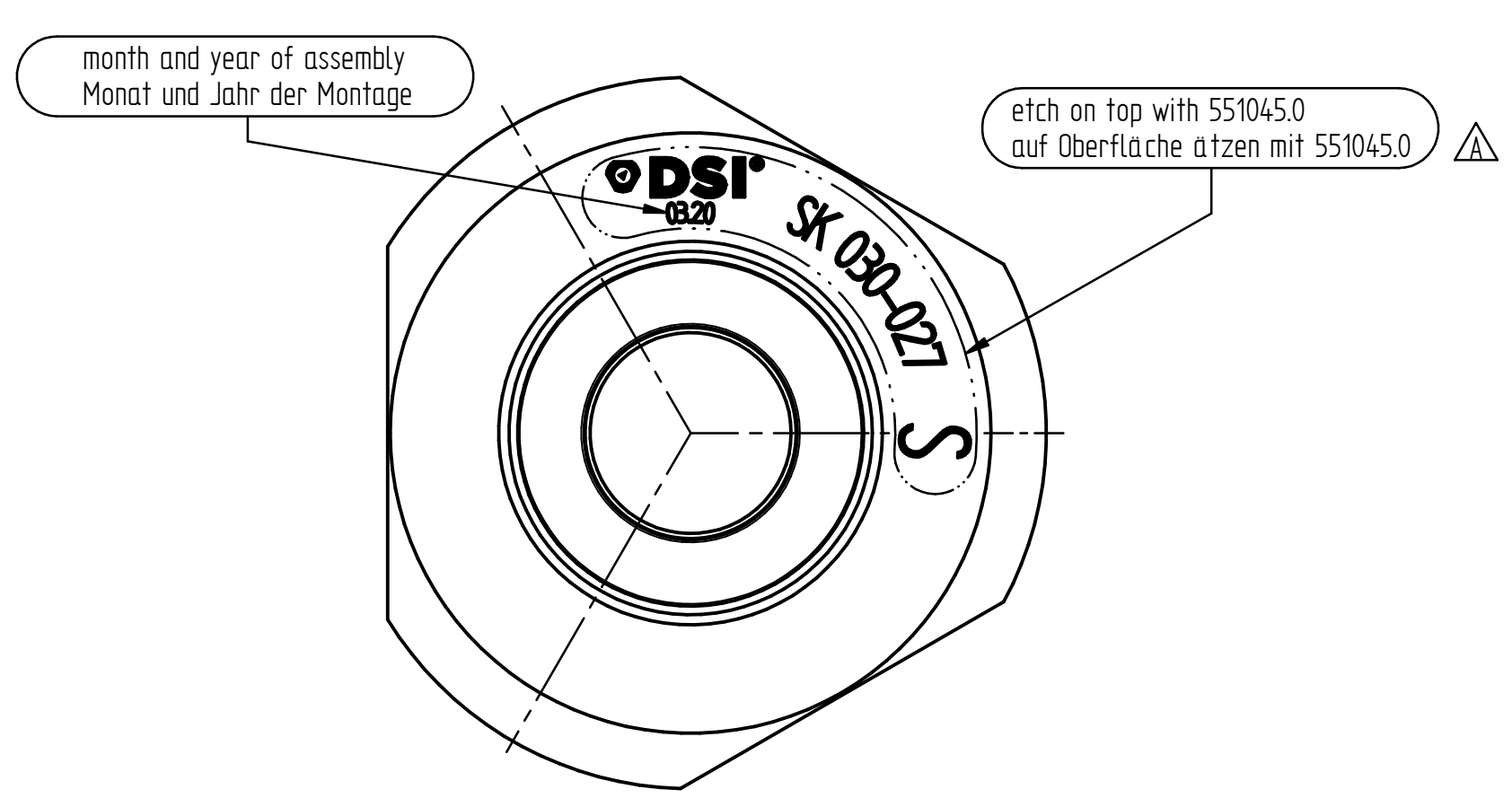
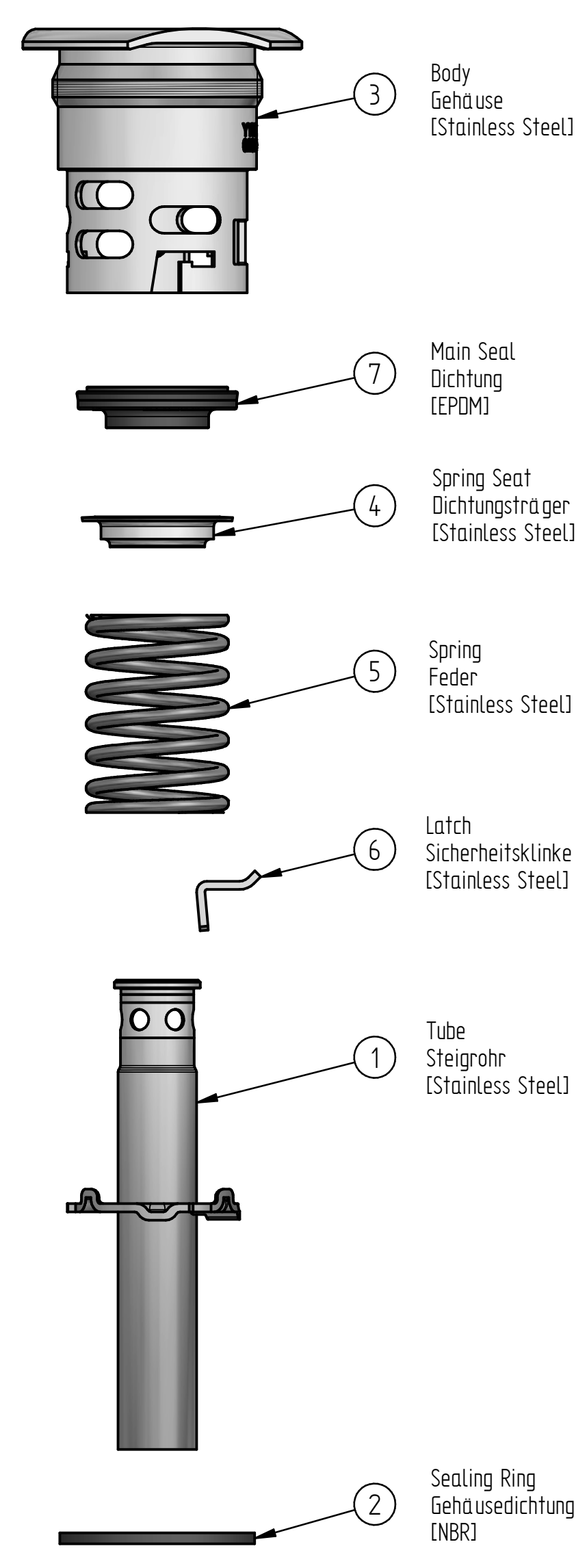
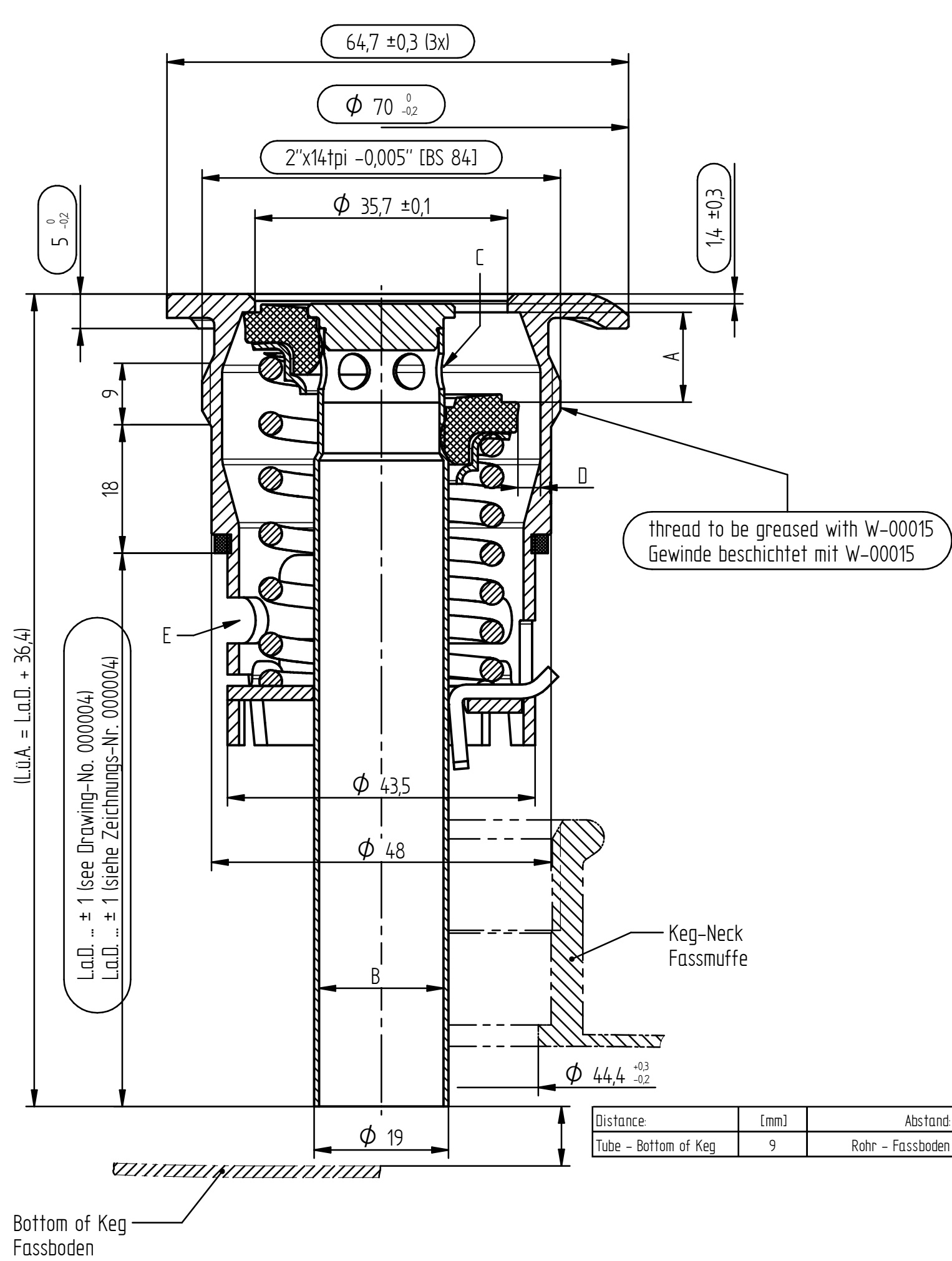


EN	DE
Product Information	Produktinformationen
according to DIN 6650, DIN 3542 and FDA regulations	Produkt nach DIN 6650, DIN 3542 und FDA-Bestimmungen
for specific length calculation keg drawing or H3-dimension is needed according to DIN 6647	Für konkrete Längenberechnung wird die Keg-Zeichnung oder das H3-Maß nach DIN 6647 benötigt.
gastight	gasdicht
mounting torque: 80±5 Nm	Anzugsdrehmoment: 80±5 Nm
temperature resistance short-time 160°C	Temperaturbeständigkeit kurzfristig 160°C
for more information www.dispensegroup.com	für mehr Informationen www.dispensegroup.com

EN	DE		
Stroke and Passages	Hub und Öffnungsquerschnitte		
I main seal part 7 - part 3	Dichtung Pos. 7 - Pos. 3	A	9-12 mm
II through inner tube ϕ 17,6 part 1	innerhalb des Steigrohres ϕ 17,6 Pos. 1	B	240 mm ²
6 holes in part 1	6 Löcher in Pos. 1	C	120 mm ²
III through outer tube part 3 - part 7	außerhalb des Steigrohres Pos. 3 - Pos. 7	D	470 mm ²
in part 3	in Pos. 3	E	1160 mm ²



weight calculation ± 5% / Gewichtsrechnung ± 5%

$$m [g] = L. a. D. [mm] * 0,315 \frac{g}{mm} + 290g$$

Pos.	Quantity	Art.-No.	Title
1	1	000002	Master Down Tube Assembly (Loose Safety)
2	1	025130.6	Sealing Ring
3	1	028193.0	Body GR 2"x14tpi
4	1	551082.4	Spring Seat
5	1	551083.5	Spring
6	1	552468.4	Safety Latch
7	1	610116	Main Seal 160°C saturated steam

PRODUCT		TOLERANCES DIN ISO 2768-mS ROUGHNESS DIN EN ISO 1302 EDGES DIN EN ISO 13715	LAST CHANGE 1 x Δ	SCALE 1,5:1 (11,25)	WEIGHT VOLUME
DESIGN	06.12.2013	lasko	TITLE	Master Extractor Tube GR S 2"x14tpi	
AM	3024		FILE NAME: 000006_Master-Drawing ET GR S 2x14tpi.asst/unbearbeitet	DRAWING NUMBER: 000006_Master-Drawing ET GR S 2x14tpi.dft	
DATE	28.07.2021	kunze	PROJ. METHOD	FORMAT	DRAWING NUMBER
LAST CHANGE	23.03.2020	kunze	DSI	A2	000006
ALTERNATIONS	DATE	NAME	AM	PROD. DEV.	GERMANY
				REPL.	REPL. BY

This drawing is the property of Dispense Systems International. The information on it is confidential and must not be copied for any other purpose without the prior written permission of DSI Getränkeautomaten GmbH. If in doubt, please ask. Samples are required after each revision.