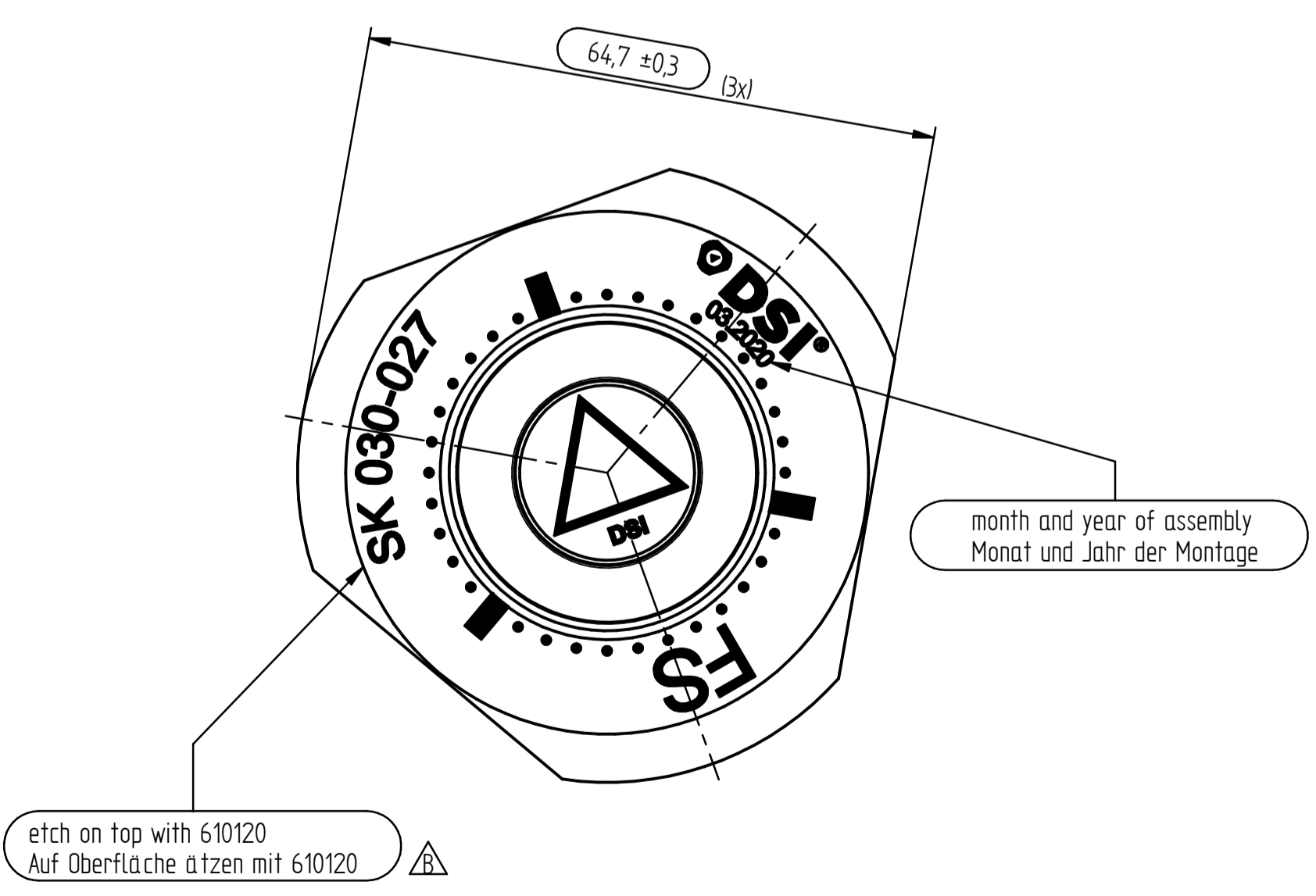
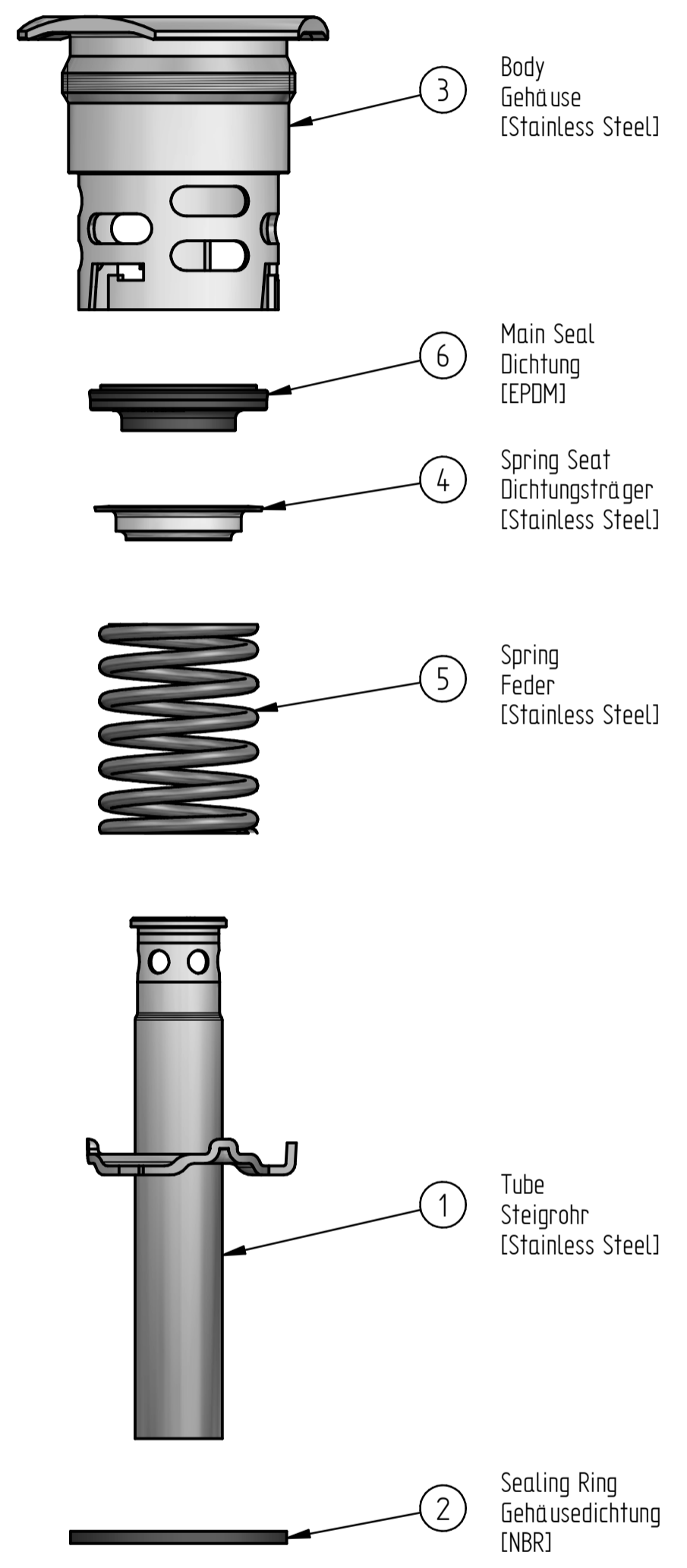
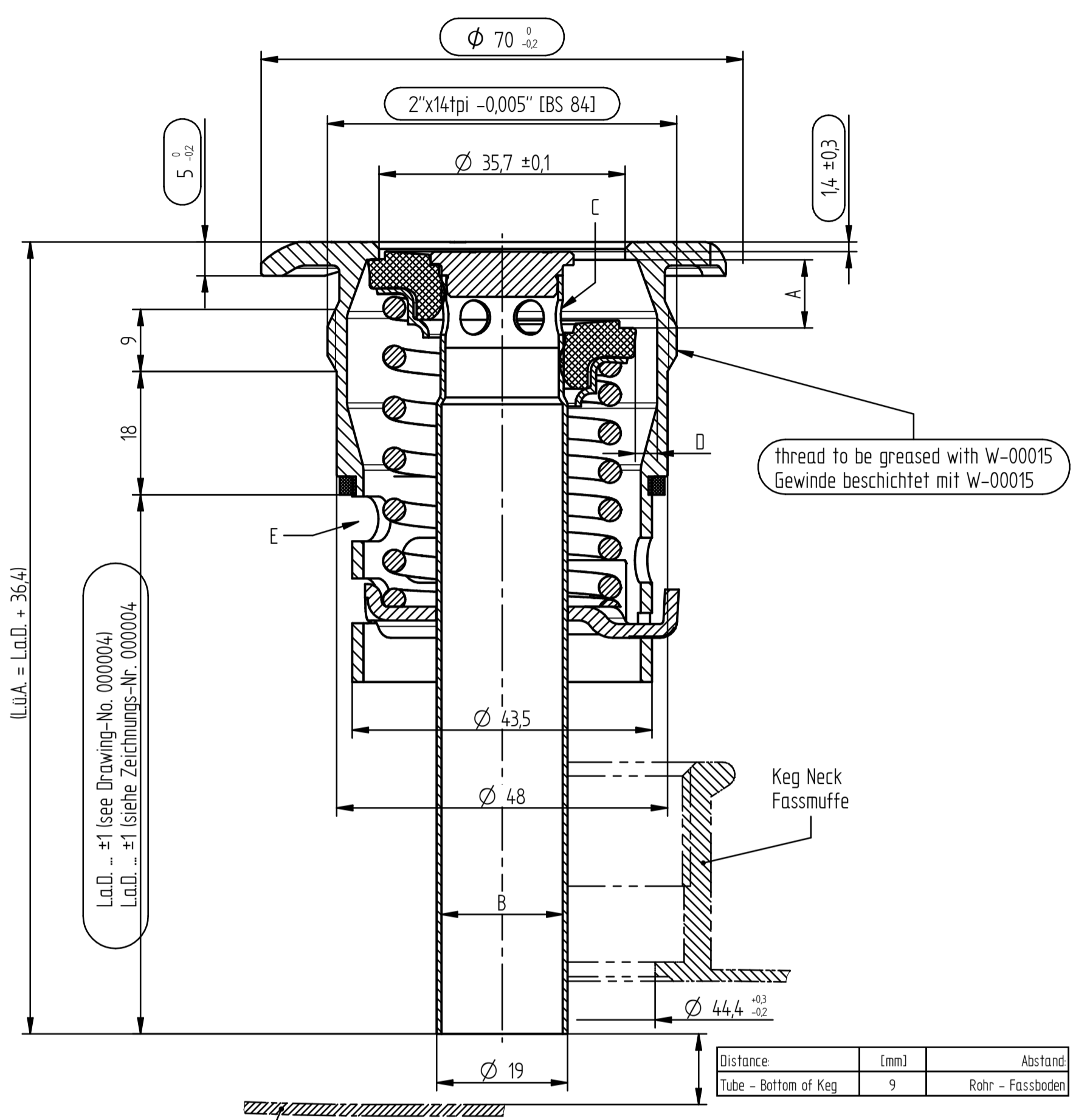


EN	DE
Product Information	Produktinformationen
according to DIN 6650, DIN 3542 and FDA regulations	Produkt nach DIN 6650, DIN 3542 und FDA Bestimmungen
for specific length calculation keg drawing or H3-dimension is needed according to DIN 6647	Für konkrete Längenberechnung wird die Keg-Zeichnung oder das H3-Maß nach DIN 6647 benötigt
gastight	gasdicht
mounting torque: 80±5 Nm	Anzugsdrehmoment: 80±5 Nm
temperature resistance short-time 160°C	Temperaturbeständigkeit kurzfristig 160°C
for more information www.dispensegroup.com	für mehr Informationen www.dispensegroup.com

EN	DE		
Stroke and Passages	Hub und Öffnungsquerschnitte		
I main seal part 6 - part 3	Dichtung Pos. 6 - Pos. 3	A	9 - 12 mm
II through inner tube $\phi$ 17,6 part 1	innerhalb des Steigrohres $\phi$ 17,6 Pos. 1	B	240 mm <sup>2</sup>
6 holes in part 1	6 Löcher in Pos. 1	C	120 mm <sup>2</sup>
III through outer tube part 3 - part 6	außerhalb des Steigrohres Pos. 3 - Pos. 6	D	470 mm <sup>2</sup>
in part 3	in Pos. 3	E	1160 mm <sup>2</sup>



weight calculation  $\pm$  5% / Gewichts Berechnung  $\pm$  5%

$$m [g] = L.a.D. [mm] * 0,315 \frac{g}{mm} + 280g$$

Pos.	Quantity	Art.-No.	Title
1	1	000013	Master Down Tube Assembly (fixed Safety)
2	1	025130.6	Sealing Ring
3	1	028193.0	Body GR 2"x14tpi
4	1	551082.4	Spring Seat
5	1	551083.5	Spring
6	1	610116	Main Seal 160°C saturated steam

PRODUCT	TOLERANCES DIN ISO 2768-mS ROUGHNESS DIN EN ISO 1302 EDGES DIN EN ISO 13715	LAST CHANGE 1 x $\Delta$	SCALE 1,5:1 (1:1,25)	WEIGHT VOLUME
DESIGN AM 20.12.2013 3024	DATE 02.05.2022	NAME kunze	TITLE Master Extractor Tube GR FS 2"x14tpi	
LAST CHANGE 29.08.2022	DATE 23.05.2016	NAME Lasko	FILE NAME: 000012_Master Drawing ET-GR FS 2x14tpi.asm/etdtpg DRAWING NAME: 000012_Master Drawing ET-GR FS 2x14tpi.dwg	SHEET 1 1 SHTS
ALTERATIONS	DATE	NAME	AM	PROD. DEV. GERMANY
REPL. BY				

This drawing is the property of Dispense Systems International. The information on it is confidential and must not be copied for any other purpose without the prior written permission of DSI Getränkeautomaten GmbH. If in doubt, please ask. Samples are required after each revision.