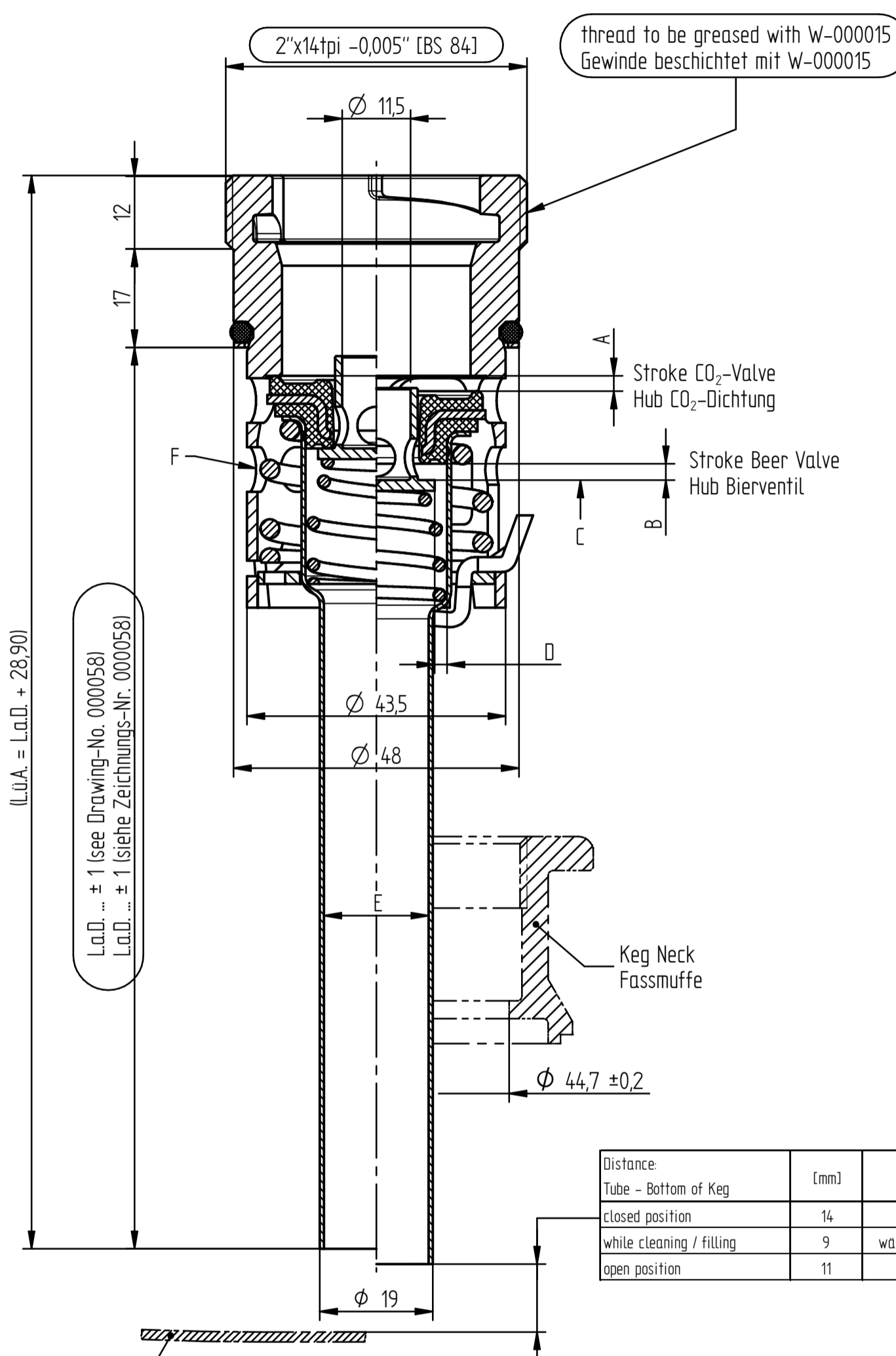


EN	DE	EN	DE
Product Information	Produktinformationen	Stroke and Passages	Hub und Öffnungsquerschnitte
according to DIN 6650, DIN 3542 and FDA regulations	Produkt nach DIN 6650, DIN 3542 und FDA-Bestimmungen	CO <sub>2</sub> valve + tube part 4 + part 1 - part 9	CO <sub>2</sub> -Dichtung + Steigrohr Pos. 4 + Pos. 1 - Pos. 9
gastight	gasdicht	beer valve part 5 - part 4	Bierventil Pos. 5 - Pos. 4
For specific length calculation keg drawing or H3-dimension is needed according to DIN 6647.	Für konkrete Längenberechnung wird die Keg-Zeichnung oder das H3-Maß nach DIN 6647 benötigt.	inside the beer valve part 5	innerhalb des Bierventils Pos. 5
mounting torque: 65+5 Nm	Anzugsdrehmoment: 65+5 Nm	through inner tube part 5 - part 1	innerhalb des Steigrohres Pos. 5 - Pos. 1
temperature resistance short-time 135°C	Temperaturbeständigkeit kurzfristig 135°C	through inner tube Ø17,6 part 1	innerhalb des Steigrohres Ø17,6 Pos. 1
for more information www.dispensegroup.com	für mehr Informationen www.dispensegroup.com	in part 9	in Pos. 9



Distance	[mm]	Abstand
Tube - Bottom of Keg		Rohr - Fassboden
closed position	14	geschlossene Position
while cleaning / filling	9	während Reinigung / Befüllen
open position	11	geöffnete Position

- 9 Body Gehäuse [Stainless Steel]
- 4 CO<sub>2</sub>-Valve CO<sub>2</sub>-Dichtung [EPDM]
- 5 Beer Valve Bier Ventil [Stainless Steel]
- 8 Beer Spring Bierfeder [Stainless Steel]
- 1 Tube Steigrohr [Stainless Steel]
- 7 CO<sub>2</sub>-Spring CO<sub>2</sub>-Feder [Stainless Steel]
- 10 Safety Latch Sicherheitsklinke [Stainless Steel]
- 2 Locking Plate Bajonettsscheibe [Stainless Steel]
- 3 Sealing Ring Gehäusedichtung [NBR]
- 6 Washer Dichttring [Stainless Steel]

weight calculation ± 5% / Gewichts Berechnung ± 5%

$$m [g] = (L. a. D. [mm] - 45) * 0,315 \frac{g}{mm} + 340g$$

Pos.	Quantity	Art.-No.	Title
1	1	000055	Down Tube UEC
2	1	026367.0	Locking Plate
3	1	026708.0	O-Ring 40,87 x 3,53
4	1	027531.9	CO <sub>2</sub> Valve
5	1	027532.1	Beer Valve
6	1	027535.2	Washer
7	1	610769	Spring, CO <sub>2</sub> , UEC
8	1	610770	Spring, Beer, UEC
9	1	610771	Body U SO 2"x14tpi
10	1	611070	Safety Latch, flat

PRODUCT	TOLERANCES	LAST CHANGE	SCALE	WEIGHT
	DIN ISO 2768-mS ROUGHNESS DIN EN ISO 1302 EDGES DIN EN ISO 13715	29.04.2015 lasko	1:2,1 (1:1,25)	VOLUME
		3024	MATERIAL	
		22.04.2020 kunze	TITLE	
		21.04.2020 kunze	Extractor Tube U SO 2"x14tpi	
			FILE NAME: 000057_ET-U SO_3stltpi.dwg DRAWING NAME: 000057_Masterdrawing ET U SO.dwg	
			PROJ. METHOD: A2	DRAWING NUMBER: 000057
			SHEET: 1	SHTS: 1
			PROD. DEV: GERMANY	REPL.:

This drawing is the property of Dispense Systems International. The information on it is confidential and must not be copied for any other purpose without the prior written permission of DSI Getränkeautomaten GmbH. If in doubt, please ask. Samples are required after each revision.