

manual

MOUNTING – DISMOUNTING

ASSEMBLING – DISASSEMBLING
INSTRUCTION

TECHNICAL INFORMATION

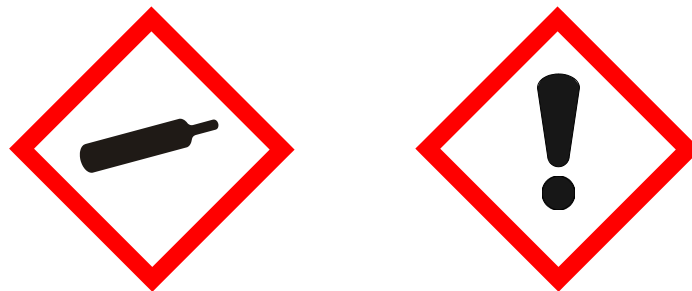
ET-W-SI
ET-WD-SI



SAFETY AND QUALITY

Health and safety

Incorrect assembly/installation may damage the keg spear and poses the risk that components may occasionally come off during initial pressurization and can cause harm to product and person.



Quality

Specialised sealing systems made of high-grade materials are in daily utilisation with all our types of extractor tubes. Due to continuous improvement of our technology, we are able to equip all A-type and G-type systems with a two-year warranty.

LIST OF CONTENTS

1. Mounting Instruction
2. Dismounting Instruction
3. Disassembling Instruction
4. Assembling Instruction
5. Tool List
6. Technical Information
7. Connections

MOUNTING INSTRUCTION

EXTRACTOR TUBE ET-W-SI / ET-WD-SI

1. Mounting Instruction

ET-W-SI



ET-WD-SI



MOUNTING INSTRUCTION

EXTRACTOR TUBE ET-W-SI / ET-WD-SI

Fig. 01



1. Moisten the extractor tube with water.

Fig. 02



2. Check the keg neck is clean. Clean the keg neck from any contaminations.

Fig. 03



3. Check the sealing ring is not damaged and is positioned correctly.

MOUNTING INSTRUCTION

EXTRACTOR TUBE ET-W-SI / ET-WD-SI

Fig. 04



4. Check if lock/safety is O.K. Insert the extractor tube straight.

Fig. 05



5. Push in the spear by hand. The safety latch will recess and click back after it has passed the keg neck.

Fig. 06



6. Tighten the extractor tube (rotate it clockwise) e.g. with the DSI screw-in/screw-out tool and torque-wrench. The mounting torque (continuous) must be 80 ± 5 Nm.

MOUNTING INSTRUCTION

EXTRACTOR TUBE ET-W-SI / ET-WD-SI

Fig. 07



7. Remove the screw-in/screw-out tool. The keg is ready for use now.

DISMOUNTING INSTRUCTION

EXTRACTOR TUBE ET-W-SI / ET-WD-SI

2. Dismounting Instruction

ET-W-SI



ET-WD-SI



DISMOUNTING INSTRUCTION

EXTRACTOR TUBE ET-W-SI/ET-WD-SI

Fig. 08



1. Decompress the keg, e.g. by means of the DSI decompression and removal Tool.

Fig. 09



2. Unscrew the extractor tube (rotate it counter-clockwise) with the DSI screw-in/screw-out tool.

Fig. 10



3. Connect the Removal Tool like a normal dispense head and press down the handle till it clicks. The safety latch will recess.

DISMOUNTING INSTRUCTION

EXTRACTOR TUBE ET-W-SI / ET-WD-SI

Fig. 11



4. Take out the spear and disconnect the removal tool.

DISASSEMBLING INSTRUCTION

EXTRACTOR TUBE ET-W-SI/ET-WD-SI

3. Disassembling instruction

ET-W-SI



ET-WD-SI



DISASSEMBLING INSTRUCTION

EXTRACTOR TUBE ET-W-SI/ET-WD-SI



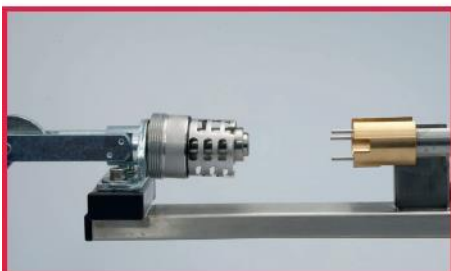
1. Put the extractor tube in the tool. Make sure that the three pins of the tool fit into the three holes in the bottom of the extractor tube.



2. Pull the handle forward to compress the spring. Push the safety latch slightly inwards. Pull the body downward and turn it anti-clockwise until it is unlocked.



3. Move the body upwards and connect it to the tool by turning the body 90°.



4. Push the handle backward. Take the subassembly out. Take the body off.



5. Take off the remaining parts. The extractor tube is disassembled.

ASSEMBLING INSTRUCTION

EXTRACTOR TUBE ET-W-SI / ET-WD-SI

4. Assembling instruction

ET-W-SI



ET-WD-SI

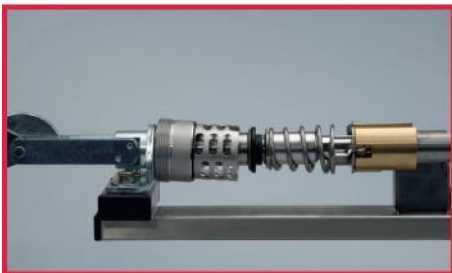


ASSEMBLING INSTRUCTION

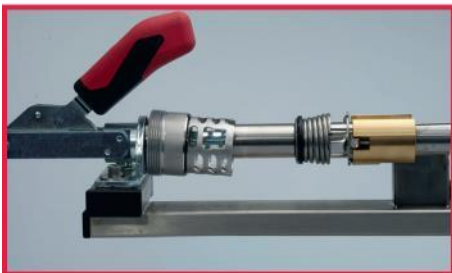
EXTRACTOR TUBE ET-W-SI/ET-WD-SI



1. Replace the sealing ring on the body and the main seal. Assemble all parts.



2. Connect the body to the Assembling Tool. Put the subassembly in the Tool. Push the safety latch slightly inwards.



3. Pull the handle forward to compress the spring.



4. Pull the body downwards and turn it clockwise until it is locked to the Extractor Tube Plate. Make sure that the safety latch sticks through the big opening in the body.



5. Push the handle backward in order to tension the spring and take out the extractor tube. Please check the correct positions of the seals and the safety latch.

TOOLS

EXTRACTOR TUBE ET-W-SI / ET-WD-SI

5. Tool List

ET-W-SI



ET-WD-SI



TOOLS

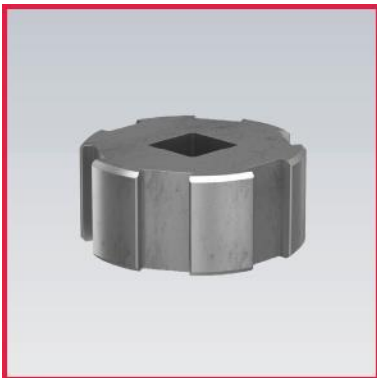
EXTRACTOR TUBE ET-W-SI / ET-WD-SI



1. Removal- and decompression tool for:

ET-W-SI 2 Nocks: part number: 026578.2

ET-WD-SI 2 Nocks: part number: 027987.3



2. Screw-in/screw-out tool:

part number: 025521.1



3. Assembling/Disassembling tool:

ET-W-SI 2 Nocks: part number: 910545

ET-WD-SI 2 Nocks: part number: 910553

TOOLS

EXTRACTOR TUBE ET-W-SI / ET-WD-SI



4. Disassembling tool CO₂ gasket:

ET-WD-SI: part number. 910610



5. Assembling tool:

Part number.: 611899

TECHNICAL INFORMATION

EXTRACTOR TUBE ET-W-SI / ET-WD-SI

6. Technical Information

ET-W-SI

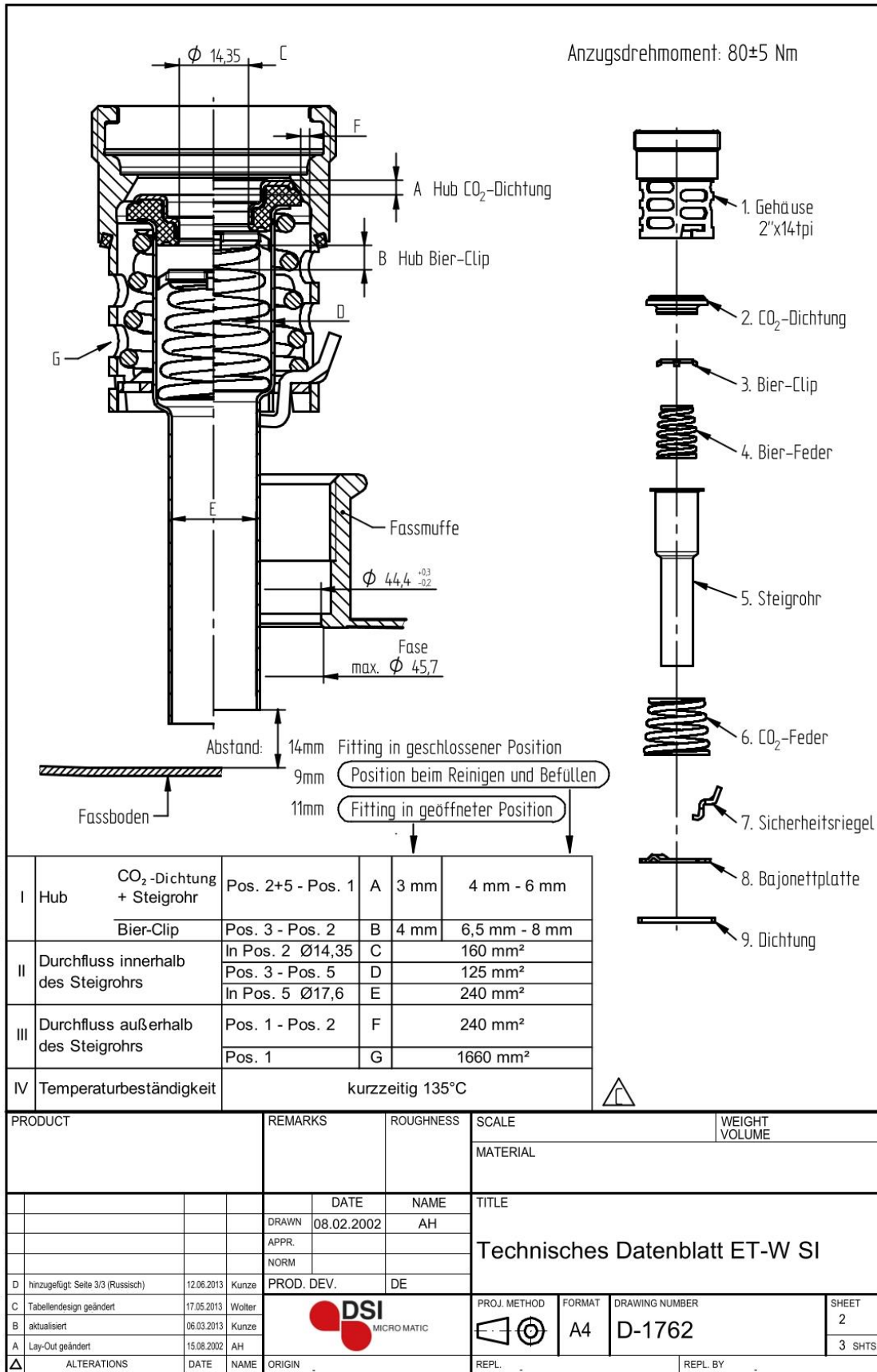


ET-WD-SI



TECHNICAL INFORMATION

EXTRACTOR TUBE ET-W-SI



DSI Getränkeautomaten GmbH.
If in doubt, please ask.
Samples are required after each revision.

This drawing is the property of Dispense Systems International.
The information is confidential and should not be copied for
any other purpose without the prior written permission of

TECHNICAL INFORMATION

EXTRACTOR TUBE ET-WD-SI

Anzugsdrehmoment: 80±5 Nm

Dimensions and Labels:

- $\phi 17,8$ (Internal diameter)
- $\phi 44,4^{+0,3}_{-0,2}$ (External diameter)
- A Hub CO₂-Dichtung
- B Hub Kugel
- Fassmuffe
- Fassboden
- Abstand: 14 mm (Fitting in geschlossener Position), 9 mm (Position beim Reinigen und Befüllen), 11 mm (Fitting in geöffneter Position)

IV	Temperaturbeständigkeit	kurzzeitig 160°C			
I	Hub CO ₂ -Dichtung + Steigrohr	Pos. 2+5 - Pos. 1	A	3 mm	4 mm - 6 mm
	Kugel	Pos. 3 - Pos. 2	B	4 mm	6,5 mm - 8 mm
II	Durchfluss innerhalb des Steigrohrs	In Pos. 2 $\phi 17,8$	C	250 mm ²	
		Pos. 3 - Pos. 5	D	175 mm ²	130 ~ 115 mm ²
		In Pos. 5 $\phi 17,6$	E	240 mm ²	
III	Durchfluss außerhalb des Steigrohrs	Pos. 1 - Pos. 2	F	330 mm ²	
		Pos. 1	G	2340 mm ²	

PRODUCT		REMARKS	ROUGHNESS	SCALE	WEIGHT VOLUME
				MATERIAL	
		DATE	NAME	TITLE	
		DRAWN	22.02.2013	kunze	
		APPR.			
		NORM			
		PROD. DEV.	DE	Technisches Datenblatt ET-WD SI	
B	hinzu: 175mm ² ; 130~115mm ² war 220mm ²	13.06.2013	Kunze	PROJ. METHOD	FORMAT
A	044.4+0.3/-0.2 war 044.4+0.2	17.05.2013	Wolter	⊕	A4
ALTERATIONS		DATE	NAME	DRAWING NUMBER	SHEET
				D-910432	2
		ORIGIN		REPL.	3 SHTS.
				REPL. BY	

DSI Getränkearmaturen GmbH.
 If in doubt, please ask.
 Samples are required after each revision.

This drawing is the property of Dispense Systems International.
 The information is confidential and should not be copied for
 any other purpose without the prior written permission of

CONNECTIONS

EXTRACTOR TUBE ET-W-SI / ET-WD-SI

7. Connections

ET-W-SI

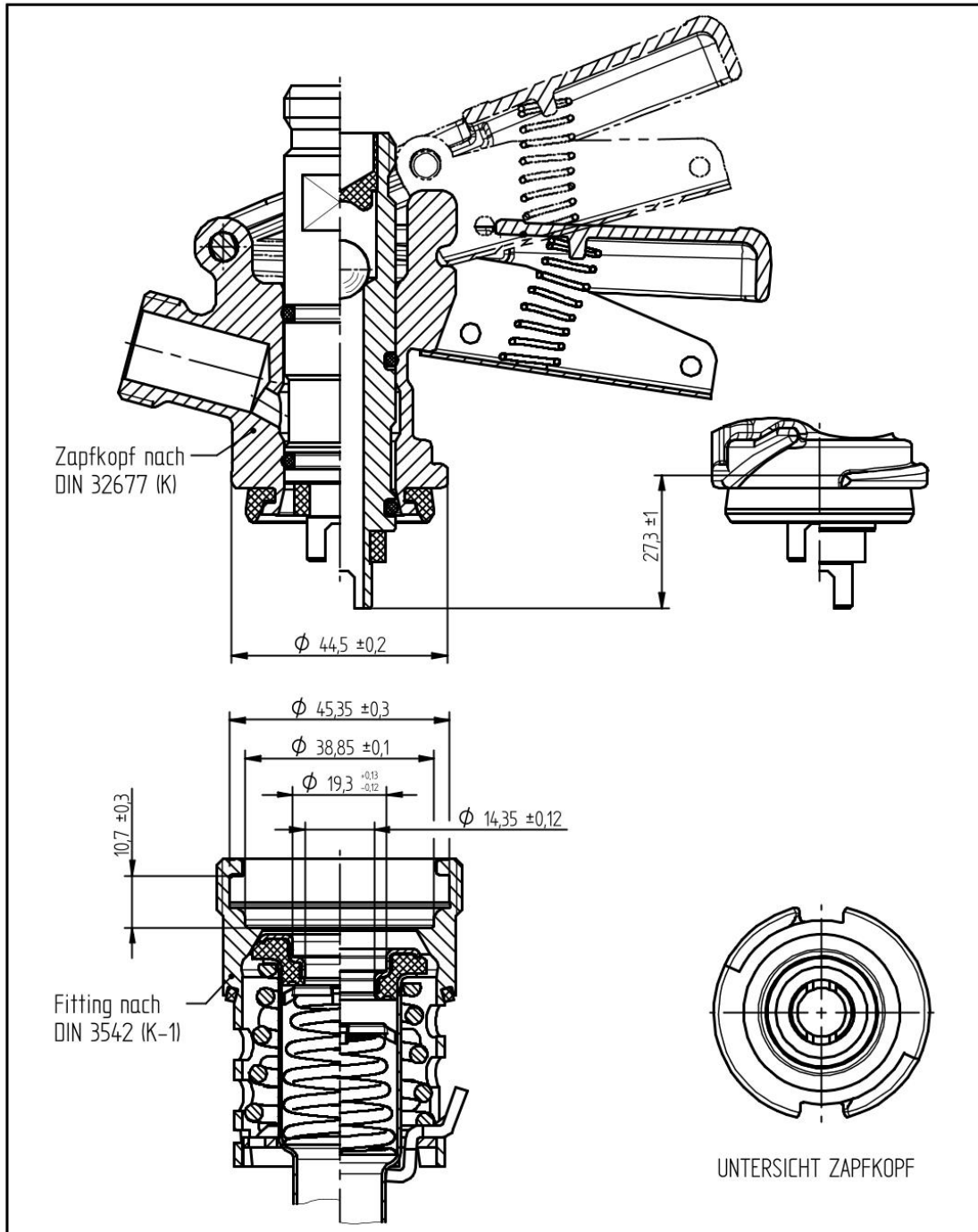


ET-WD-SI



CONNECTIONS

EXTRACTOR TUBE ET-W-SI

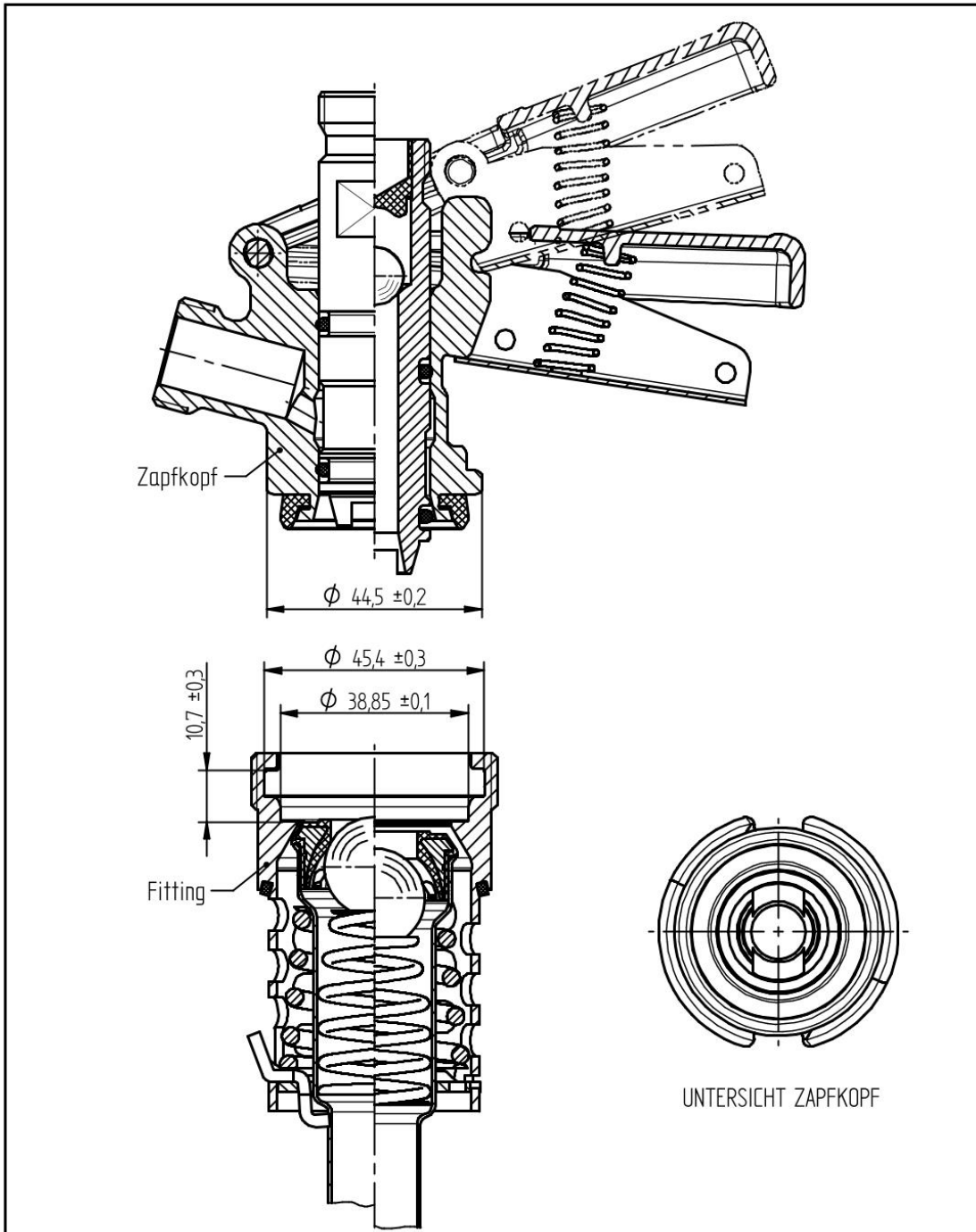


This drawing is the property of Dispense Systems International. The information on it is confidential, and must not be copied for any other purpose without the prior written permission of DSI Getränkearmaturen GmbH. If in doubt, please ask. Samples are required after each revision.

PRODUCT		TOLERANCES DIN ISO 2768-mH		LAST CHANGE		SCALE		WEIGHT VOLUME	
		ROUGHNESS DIN EN ISO 1302		- X Δ		MATERIAL			
		EDGES DIN EN ISO 13715		DATE NAME		TITLE			
				DESIGN 19.06.2002 AH		Well-Type Verbindungssystem			
				AM 4427		FILE NAME: ET W SI bestellg - für 184559.asm			
				LAST CHANGE 2D 16.04.2020 kunze		DRAWING NAME: 184559 Well Type Connection System.dtt			
				3D 16.04.2020 kunze		PROJ. METHOD		SHEET	
				DSI MICRO MATIC		FORMAT A4		DRAWING NUMBER 184559	
				PROD. DEV. GERMANY		REPL. -		2	
ALTERATIONS		DATE NAME AM		REPL. BY -				3 SHTS.	

CONNECTIONS

EXTRACTOR TUBE ET-WD-SI



This drawing is the property of Dispense Systems International. The information on it is confidential, and must not be copied for any other purpose without the prior written permission of DSI Getränkearmaturen GmbH. If in doubt, please ask. Samples are required after each revision.

PRODUCT		TOLERANCES DIN ISO 2768-mH		LAST CHANGE		SCALE		WEIGHT VOLUME	
		ROUGHNESS DIN EN ISO 1302		- X Δ		MATERIAL			
		EDGES DIN EN ISO 13715		DATE		TITLE			
				DESIGN 25.02.2013 kunze		WD SI Verbindungssystem			
				AM 4427		FILE NAME: D:\WD\bestellg - für 910433.asm			
				LAST CHANGE 2D 21.04.2020 kunze		DRAWING NAME: 910433 WDSI Connection System.dft			
				LAST CHANGE 3D 21.04.2020 kunze		PROJ. METHOD		SHEET	
						FORMAT		2	
						DRAWING NUMBER		3 SHTS.	
				A4 910433		REPL. -		REPL. BY -	
ALTERATIONS		DATE		NAME		AM		PROD. DEV. GERMANY	

DSI Micro Matic GmbH

Oberster Kamp 20
59069 Hamm
Germany
Telefon: +49 (0) 23 85 772 100
Fax: +49 (0) 23 85 772 249
dsi-sales@micro-matic.com
dsi.micro-matic.com

DSI SERVICE – TEAM

SALES AND CUSTOMER SERVICE:

Iryna Matyak
Eastern Europe, UK & Ireland
Telefon: +49 (0) 23 85 772 216
E-Mail: iryna.matyak@micro-matic.com

Debora Salvador
Western Europe & North-/ South-America
Telefon: +49 (0) 23 85 772 212
E-Mail: debora.salvador@micro-matic.com

Katja Spanke
Western Europe, Australia & Asia
Telefon: +49 (0) 23 85 772 215
E-Mail: katja.spanke@micro-matic.com

SALES FIELD SERVICE:

Rafael Kurzawa
D.A.CH.
Telefon: +49 2385 772 218
Mobil: +49 162 2892386
E-Mail: rafael.kurzawa@micro-matic.com